

MCX Connector DMS04, DMS01

www.gigalane.com



GigaLane MCX Connectors are intended for use with microwave application requiring excellent performance up to 6G Hz in 50 Ohm impedance. MCX connectors are similar in design to SMB connectors but smaller than SMB connectors. Typical applications for MCX connectors include GPS, wireless communication and automotives.

► Specification

Electrical

Frequency	DC ~ 6 GHz
Impedance	50 Ω
VSWR	1.2 : 1 to 6 GHz
Insulation Resistance	5000 MΩ
Dielectric Withstand Voltage	750 Vrms Max
Contact Resistance - Outer Conductor - Inner Conductor	2mm Ω max 6mm Ω max
RF Leakage	> 60 dB
Power Handling	50W (@2 GHz)

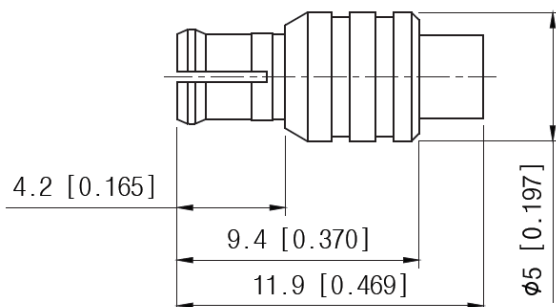
Environmental

Temperature	- 40°C to + 125°C
Thermal Shock	CECC22220 4.6.7
Corrosion (salt Spray)	CECC22220 4.6.10
Vibration	CECC22220 4.6.3
Moisture Resistance	CECC22220 4.6.4

Materials

Body	Brass / Beryllium Copper (Gold Plated)
Center Contact	Brass / Beryllium Copper (Gold Plated)
Insulator	PTFE

► Drawing



Unit : mm [inch]

Cable	Part No.
047	DMS04
085	DMS01